

Remote Control Model #RC-S01

PRODUCT SPECIFICATION

Model: RC-S01

Dimensions: $\Phi 47 \times 15$ mm

Weight (including battery): 21g \pm 5g

Battery / Voltage: CR2032 3V (Lithium coin battery)

Radio Frequency: 2.4GHz

Operation Temperature : 0°C - 50°C / 32°F - 122°F

FCC ID: Q3V-RC-S01

IC ID: 28542-RCS01



FCC Information

This device complies with Part 15 of the FCC Rules. Operation is subject to the following two conditions:

(1) This device may not cause harmful interference, and (2) this device must accept any interference received, including interference that may cause undesired operation.

This equipment has been tested and found to comply with the limits for a Class B digital device, pursuant to Part 15 of the FCC Rules. These limits are designed to provide reasonable protection against harmful interference in a residential installation. This equipment generates, uses and can radiate radio frequency energy and, if not installed and used in accordance with the instructions, may cause harmful interference to radio communications. However, there is no guarantee that interference will not occur in a particular installation. If this equipment does cause harmful interference to radio or television reception, which can be determined by turning the equipment off and on, the user is encouraged to try to correct the interference by one of the following measures:

- Reorient or relocate the receiving antenna.
- Increase the separation between the equipment and receiver.
- Connect the equipment into an outlet on a circuit different from that to which the receiver is connected.
- Consult the dealer or an experienced radio/TV technician for help.
-

CAUTION:

Any changes or modifications not expressly approved by the grantee of this device could void the user's authority to operate the equipment.

IC Information**Innovation, Science and Economic Development Canada (ISED) Notices**

This device contains licence-exempt transmitter(s)/receiver(s) that comply with Innovation, Science and Economic Development Canada's licence-exempt RSS(s). Operation is subject to the following two conditions:

1. This device may not cause interference.
2. This device must accept any interference, including interference that may cause undesired operation of the device.

Canada, avis d'Industry Canada (ISED)

Cet appareil contient un ou des émetteurs/récepteurs exempts de licence conformes aux RSS exempts de licence d'Innovation, Sciences et Développement économique Canada. Le fonctionnement est soumis aux deux conditions suivantes:

1. Cet appareil ne doit pas causer d'interférences.
2. Cet appareil doit accepter toutes les interférences, y compris les interférences pouvant entraîner un fonctionnement indésirable de l'appareil.

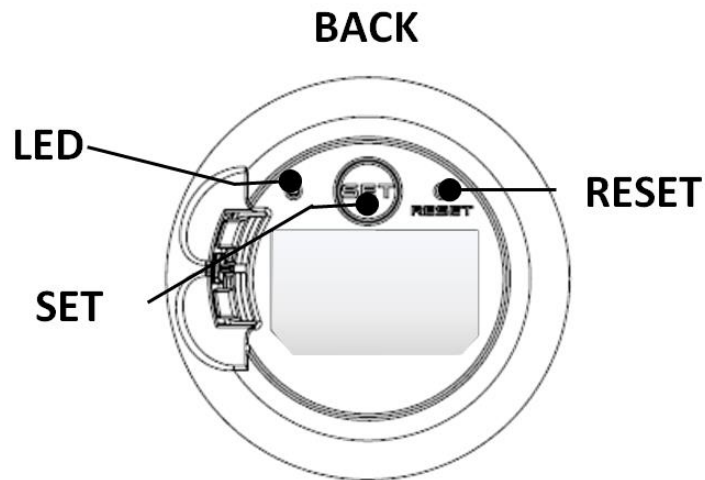
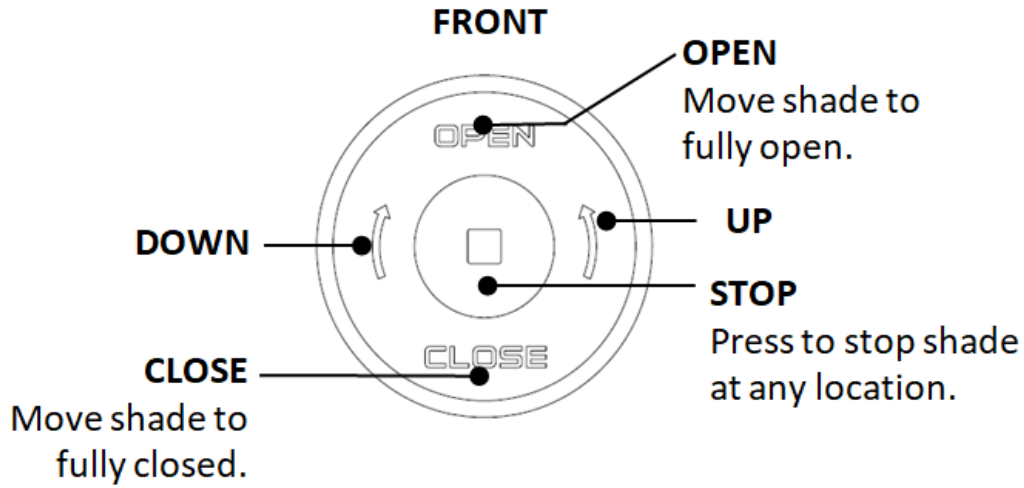
CAN ICES-003(B) / NMB-003(B)**RF Exposure Warning**

The equipment complies with FCC/ISED RF exposure limits set forth for an uncontrolled environment.

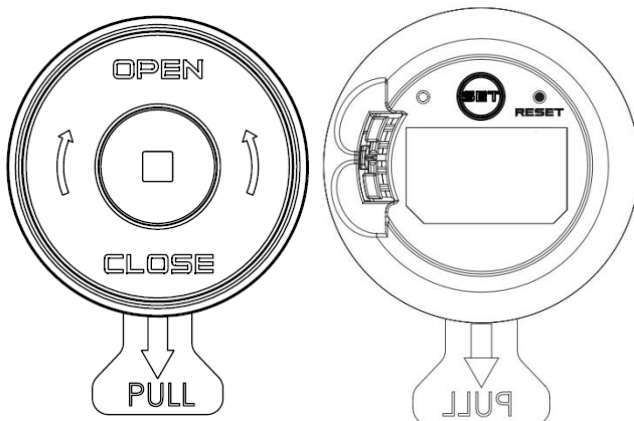
The equipment must not be co-located or operating in conjunction with any other antenna or transmitter.

BOTTON VIEW

i The function of **DOWN & UP & CLOSE & OPEN** buttons may vary depending on the shade type. Please refer to the product manual.

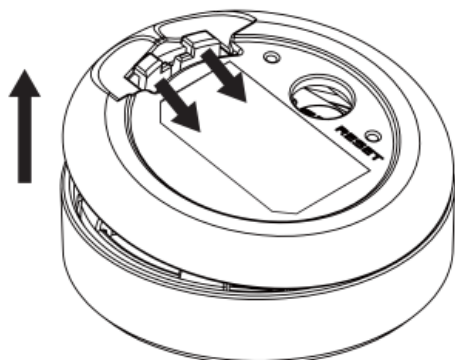


Please remove pull tab before use.



REPLACE BATTERY

The Remote Control comes with 1x CR2032 battery inside.



Remove remote back cover. Using two fingers simultaneously press the latch of the battery cover, and lift it to open.

Install batteries with positive (+) side facing up.



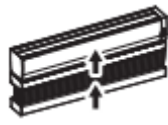
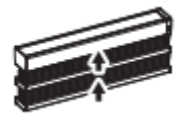


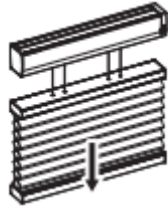

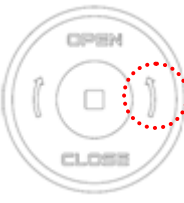



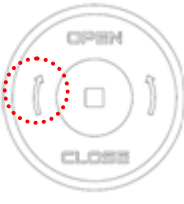



⚠ WARNING

- **INGESTION HAZARD:** This product contains a button cell or coin battery.
- **DEATH** or serious injury can occur if ingested.
- A swallowed button cell or coin battery can cause **Internal Chemical Burns** in as little as **2 hours**.
- **KEEP** new and used batteries **OUT OF REACH of CHILDREN**.
- **Seek immediate medical attention** if a battery is suspected to be swallowed or inserted inside any part of the body.



- a) Remove and immediately recycle or dispose of used batteries according to local regulations and keep away from children. Do NOT dispose of batteries in household trash or incinerate.
- b) Even used batteries may cause severe injury or death.
- c) Call a local poison control center for treatment information.
- d) Battery type: CR2032 (3V)
- f) Non-rechargeable batteries are not to be recharged.
- g) Do not force discharge, recharge, disassemble, heat above 50°C or incinerate. Doing so may result in injury due to venting, leakage or explosion resulting in chemical burns.
- h) Ensure the batteries are installed correctly according to polarity (+ and -).
- i) Do not mix old and new batteries, different brands or types of batteries, such as alkaline, carbon-zinc, or rechargeable batteries.
- j) Remove and immediately recycle or dispose of batteries from equipment not used for an extended period of time according to local regulations.
- k) Always completely secure the battery compartment. If the battery compartment does not close securely, stop using the product, remove the batteries, and keep them away from children.

OPERATION

| Lift Feature Button Function | Bottom Up (Cellular Shade / Roman Shade) | Top Down Bottom Up (Cellular Shade) | Day & Night (Cellular Shade) |
|--|---|---|--|
|  <p>Fully Open</p> |  <p>Continuously move shade to open.</p> |  <p>Continuously move bottom rail to top. Bottom rail will stop when it fully close to middle rail. Press this button again, bottom rail and middle rail will move up together.</p> |  <p>Continuously move bottom rail to top. Bottom rail will stop when it fully close to middle rail. Press this button again, bottom rail and middle rail will move up together.</p> |
|  <p>Fully Close</p> |  <p>Continuously move shade to close.</p> |  <p>Continuously move bottom rail to bottom.</p> |  <p>Continuously move bottom rail to bottom.</p> |
|  |  <p>Slightly adjust shade position to open.</p> |  <p>Continuously move middle rail to top.</p> |  <p>Continuously move middle rail to top.</p> |
|  |  <p>Slightly adjust shade position to close.</p> |  <p>Continuously move middle rail to bottom. Middle rail will stop when it fully closed to bottom rail. Press this button again, middle rail and bottom rail will move down together.</p> |  <p>Continuously move middle rail to bottom. Middle rail will stop when it fully closed to bottom rail. Press this button again, middle rail and bottom rail will move down together.</p> |

CATALOGUE

PAIR REMOTE WITH SHADE 7

CLEAR REMOTE WITH SHADE 8

SET UPPER LIMIT 9

CLEAR UPPER LIMIT 10

SET LOWER LIMIT 11

CLEAR LOWER LIMIT 12

COPY REMOTE 13

FACTORY REST FOR COPY REMOTE 14

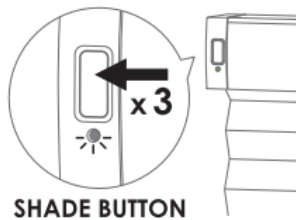
PAIR REMOTE WITH SHADE

⚠ Shades are pre-programmed to the according to your order details. If you want to change the pre-setting, please CLEAR pre-setting first (please refer to section **CLEAR REMOTE WITH SHADE**), then follow the below steps to set up a new pairing.

⚠ **IMPORTANT!** Please only pair shades with the same lift type to the same remote for optimal operation.

Step 1: On Shade

Press shade button **3 times**. The green light will start blinking, while shade is ready for pairing.



SHADE BUTTON

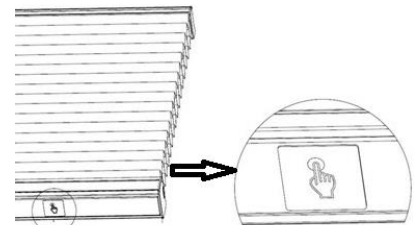
Cellular shade



Roman Shade-Rechargeable Battery with AC Adapter

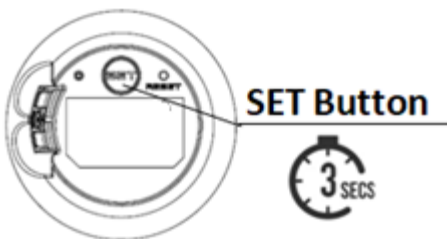


Roman Shade-AC Adapter



BMCS Bottom Rail

Step 2: On Remote

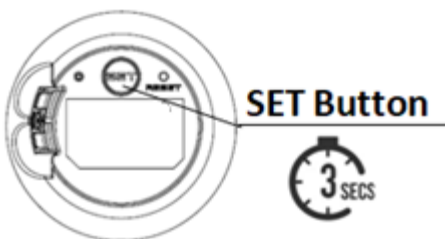


Press and hold **SET** button for **3 seconds**, and LED will blink, the remote is in SETUP mode.

Shade Response

Paired successfully

Jog x 1



Press and hold **SET** button for **3 seconds**, and LED will stop blinking, the remote will exist SETUP mode.

i SETUP mode will time out after 20 seconds of inactivity.

CLEAR REMOTE WITH SHADE

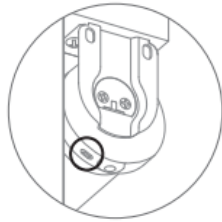
Step 1: On Shade

Press shade button **3 times**. The green light will start blinking, while shade is ready for clearing pair.



SHADE BUTTON

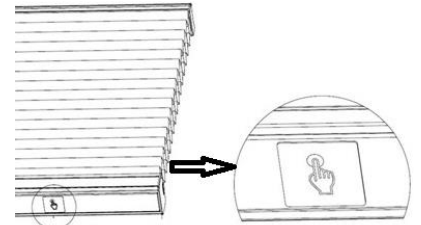
Cellular shade



Roman Shade-
Rechargeable
Battery with AC
Adapter

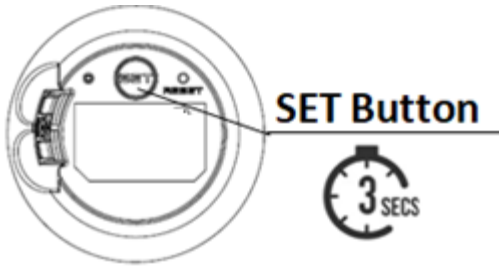


Roman Shade-
AC Adapter



BMCS Bottom Rail

Step 2: On Remote



SET Button

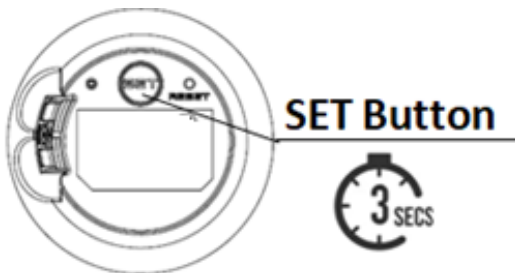


Press and hold **SET** button for **3 seconds**, and LED will blink, the remote is in SETUP mode.

Shade Response

Clear pairing remote with shade successfully

Jog x 2



SET Button



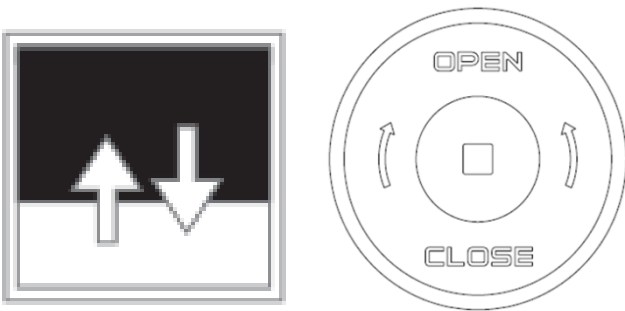
Press and hold **SET** button for **3 seconds**, and LED will stop blinking, the remote will exist SETUP mode.

i SETUP mode will time out after 20 seconds of inactivity.

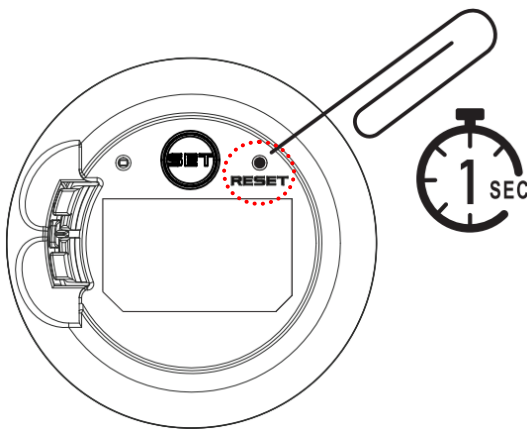
SET UPPER LIMIT

- ⚠ Shades upper limit has been set before shipping out from factory. If you want to change the pre-setting, please CLEAR the upper limit first, and then follow below steps to set up new upper limit.
- ⚠ **CAUTION!** To avoid an accidental setup with other shades: Please power off other shades first, or pair the designated shade in a separate remote. Then proceed to set up or clear your desired settings.

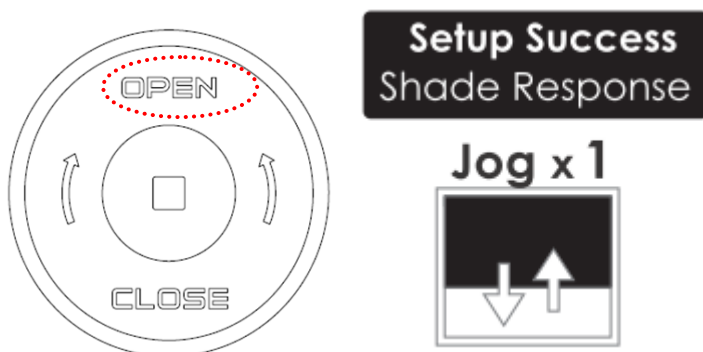
Step 1: Move the shade to desired location. But for cellular Shade Motorized Day & Night, please always move both middle rail and bottom rail to desired position.



Step 2: Using a pin (not provided), press and hold the **RESET** button for **1 second**. The LED will start blinking - the remote is now in RESET mode.



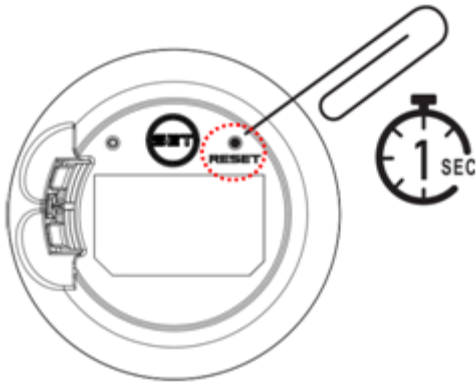
Step 3: Press **OPEN** button to save upper limit.



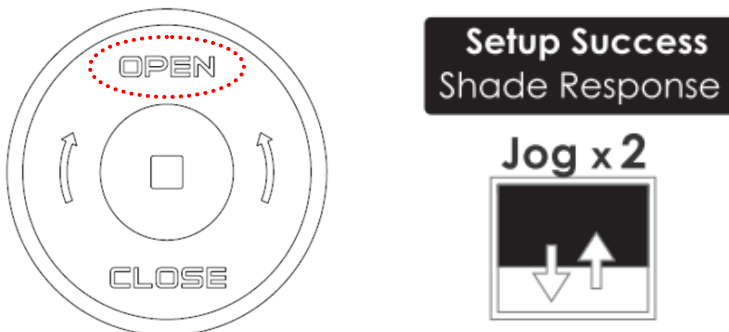
CLEAR UPPER LIMIT

⚠ CAUTION! To avoid an accidental setup with other shades: Please power off other shades first, or pair the designated shade in a separate remote. Then proceed to set up or clear your desired settings.

Step 1: Using a pin (not provided), press and hold the **RESET** button for **1 second**. The LED will start blinking - the remote is now in RESET mode.



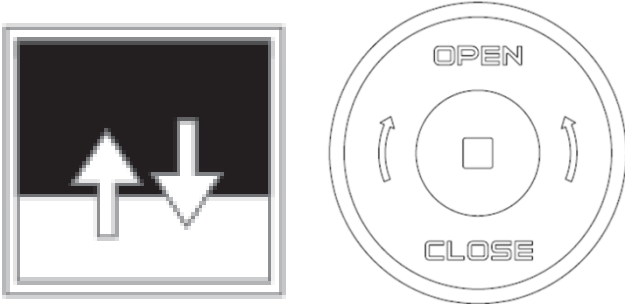
Step 2: Press and hold **OPEN** button for **1 second** to clear upper limit.



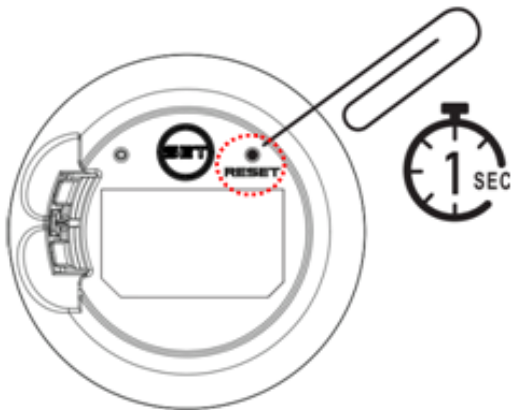
SET LOWER LIMIT

- ⚠ Shades lower limit has been set before shipping out from factory. If you want to change the pre-setting, please CLEAR the lower limit first, and then follow below steps to set up new lower limit.
- ⚠ **CAUTION!** To avoid an accidental setup with other shades: Please power off other shades first, or pair the designated shade in a separate remote. Then proceed to set up or clear your desired settings.

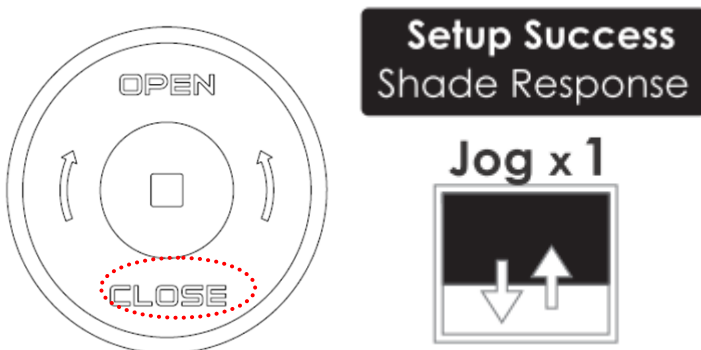
Step 1: Move the shade to desired location.



Step 2: Using a pin (not provided), press and hold the **RESET** button for **1 second**. The LED will start blinking - the remote is now in RESET mode.



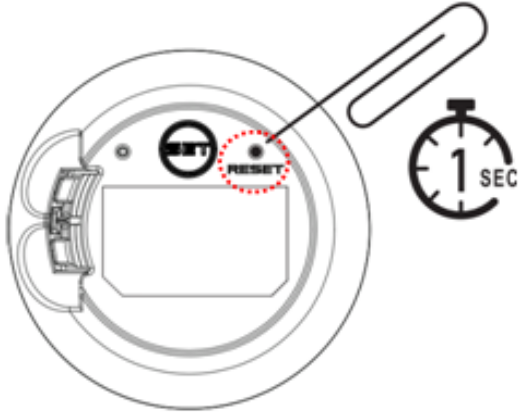
Step 3: Press **CLOSE** button to save lower limit.



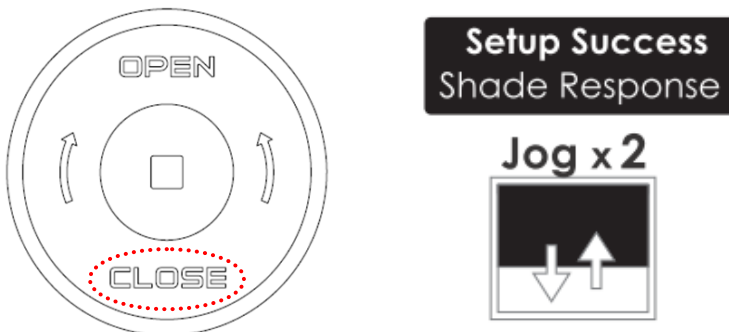
CLEAR LOWER LIMIT

⚠ CAUTION! To avoid an accidental setup with other shades: Please power off other shades first, or pair the designated shade in a separate remote. Then proceed to set up or clear your desired settings.

Step 1: Using a pin (not provided), press and hold the **RESET** button for **1 second**. The LED will start blinking - the remote is now in RESET mode.



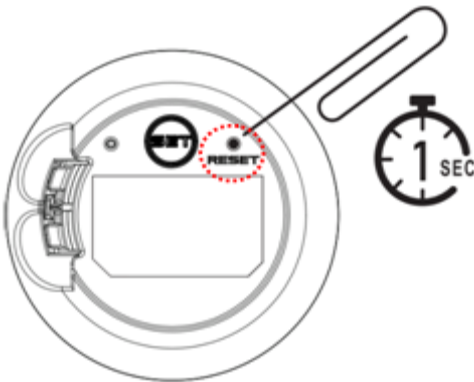
Step 2: Press and hold **CLOSE** button for **1 second** to clear lower limit.



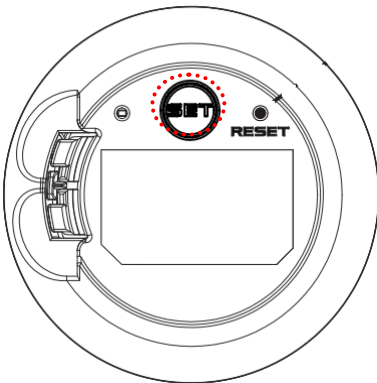
COPY REMOTE

⚠ Please always pair existing remote with ShadeAuto™ Hub (if any) first, before copy remote.

Copy all settings from the existing remote to a new remote.

New Remote

1. Press and hold **RESET** button for **1 second** by pin (not provided), LED will start flashing.
2. Press **RESET** button **3 times**, LED will flash quickly.

Existing Remote

3. Press and hold **SET** button for **3 seconds**, the LED will start blinking.
4. Press **SET** button **3 times**, the LED will blink **4 times**.

Copy Success**New Remote**

LED lit on for **1 second**, and exit out of **RESET** mode.

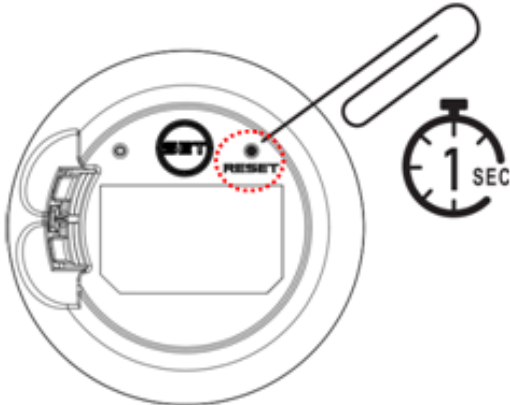
Existing Remote

Press and hold **SET** button for **3 seconds**, LED will stop blinking and exit out of SETUP mode.

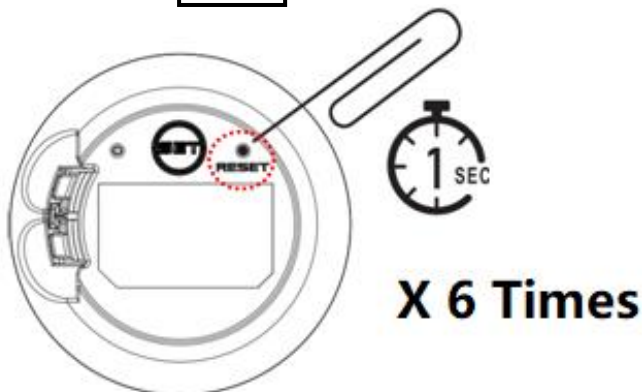
FACTORY REST FOR COPY REMOTE

- ⚠ CAUTION!** By performing **FACTORY RESET**, your copied remote will be erased. The connection between your existing remote and hub will be disconnected.
But you can still use the existing remote to operate the paired shades.

Step 1: Using a pin (not provided), press and hold the **RESET** button for **1 second**. The LED will start blinking - the remote is now in RESET mode.



Step 2: Press **RESET** button **6 times**, the LED will flash 4 times.



Step 3: Press and hold **RESET** button for **1 second**, and exit out of RESET mode.

